

Portable Poultry Pen

Page 1 of 4

Material List:

All Pipe is 1" Sch 40 PVC

(unless otherwise specified)

Item	Qty	Description
A	28	59" Pipe
B	13	24" or 36" Pipe
C	6	10" Pipe
D	1	56-1/2" Pipe
E	5	4" Pipe (1-1/4" Sch 40 PVC)
F	20	1" Snap Clamps 4"
G	5	1" Slip-T's
H	12	1" 3-way Connector
I	6	1" 90 deg. Elbow
J	7	1" 4-way Connector
K	3	1" 5-way Connector
L	1	9'x16-1/2" Tarp or Shade Cloth
M	1	6'x50' Roll Chicken Wire
P	100-130	3-1/2" Plastic Zip Ties
S	25	Self Tapping Screws (3/4" Long)
T	1 or 2	Bungee Cords
U		PVC Glue

HINGE & LATCH ASSEMBLY:

Glue 2 Pieces of 1-1/4" PVC x 4" (E) Together to Create Hinges as Shown in Fig. 1. Make 2 Hinges.
Glue 1 Piece 1-1/4" x 4" (E) to 1 SnapClamp (F) to Create Latches as Shown in Fig. 2. Make 1 Latch.

Hinge

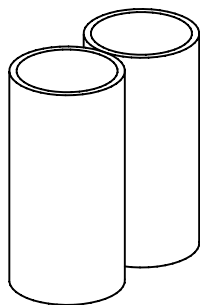


Fig. 1

Latch

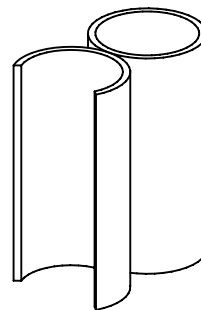


Fig. 2

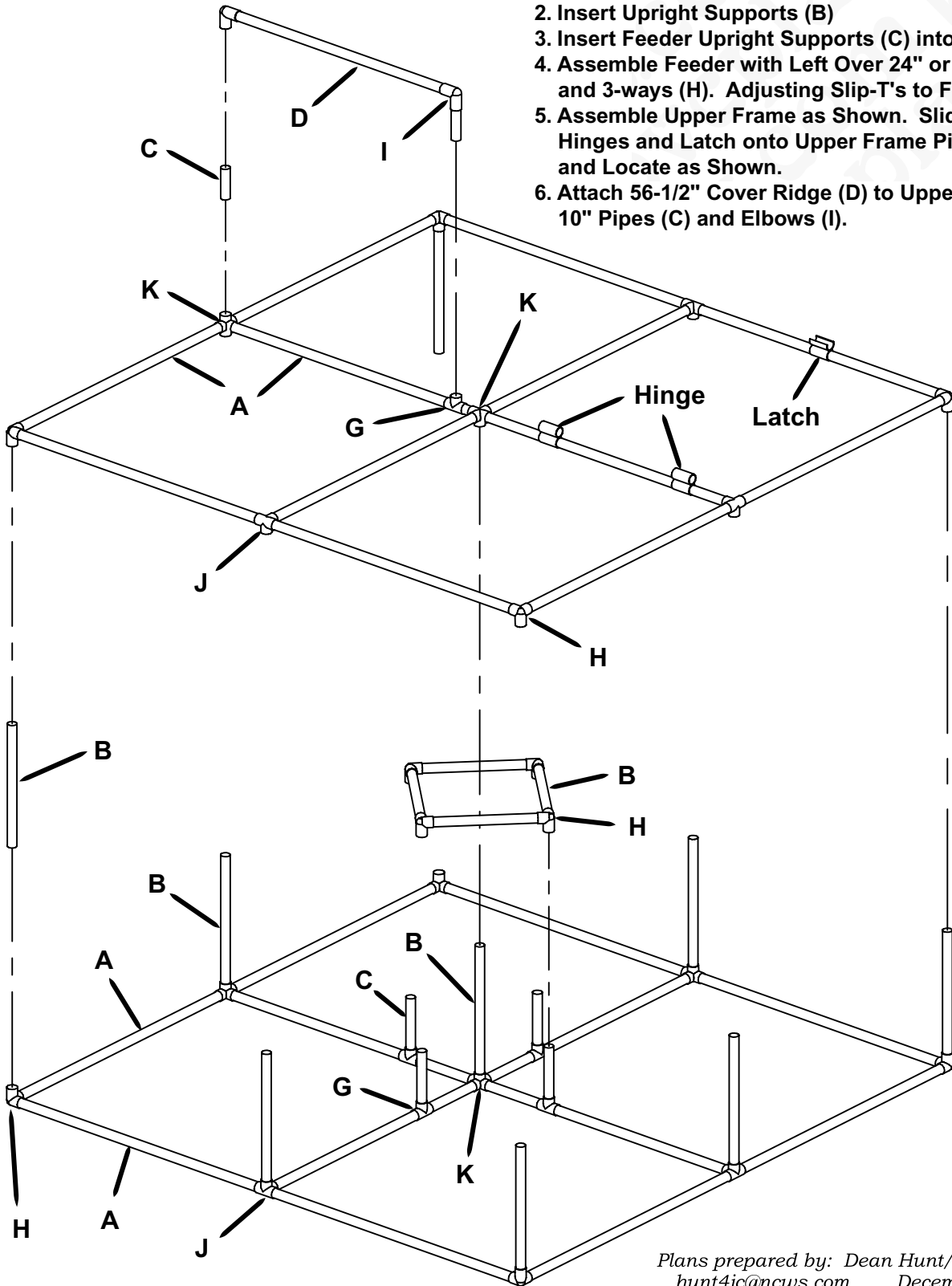
Portable Poultry Pen

Page 2 of 4

ASSEMBLY INSTRUCTIONS:

(Do Not Glue any Parts Unless Otherwise Noted)

1. Assemble Base as Shown.
Slide Slip-T's (G) onto Inner Frame Pipes for Feeder.
2. Insert Upright Supports (B)
3. Insert Feeder Upright Supports (C) into Slip-T's on Base.
4. Assemble Feeder with Left Over 24" or 36" Pipes (B) and 3-ways (H). Adjusting Slip-T's to Fit.
5. Assemble Upper Frame as Shown. Slide Slip-T (G), Hinges and Latch onto Upper Frame Pipes and Locate as Shown.
6. Attach 56-1/2" Cover Ridge (D) to Upper Frame with 10" Pipes (C) and Elbows (I).

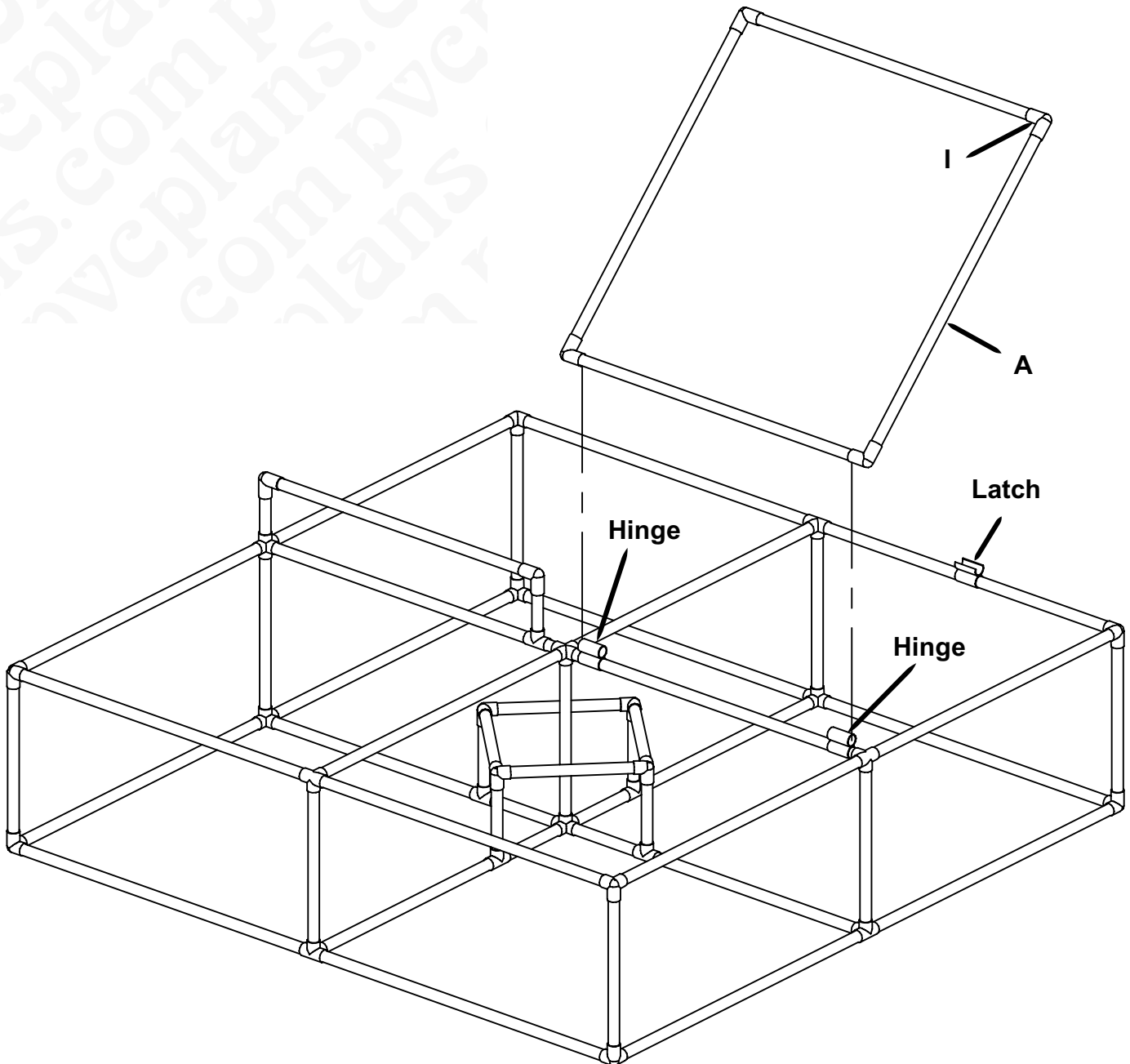


Portable Poultry Pen

Page 3 of 4

ATTACH COVERINGS & DOOR:

1. Cover Entire Pen with Chicken Wire (M) Using Plastic Zip Ties (P) Spaced 6"-8" To Hold it Together and Secured to the Frame.
2. Slide Bottom Door Pipe (A) Through Hinges and Then Assemble Door with Elbows (I)
3. Carefully Cut the Chicken Wire out of the Door Opening and Attach it to the Door with Plastic Zip Ties (P) Spaced 6".



Portable Poultry Pen

Page 4 of 4

FINAL TOUCHES:

1. Attach the Tarp or Shade Cloth (L) Over Ridge Support with SnapClamps (F) Spaced 6"-8" to Provide Shelter.
2. Secure SnapClamps, Hinges and Latch with Self Tapping Screws (S) as Needed.
3. Trim Excess Covering
4. Use Bungee Cords (T) to Hold Door Closed.

These Plans are Free and Therefore we do not Warrent or Garauntee the Structure Built from Them.

